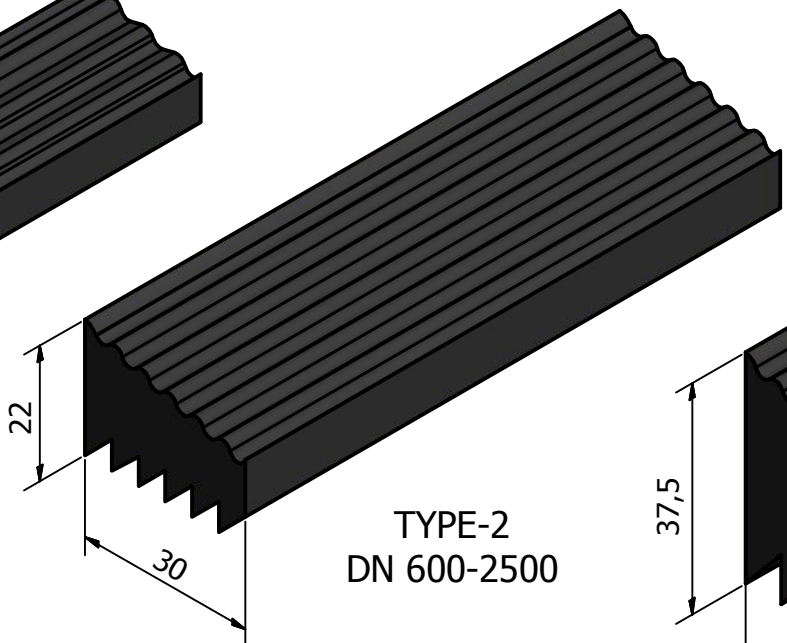
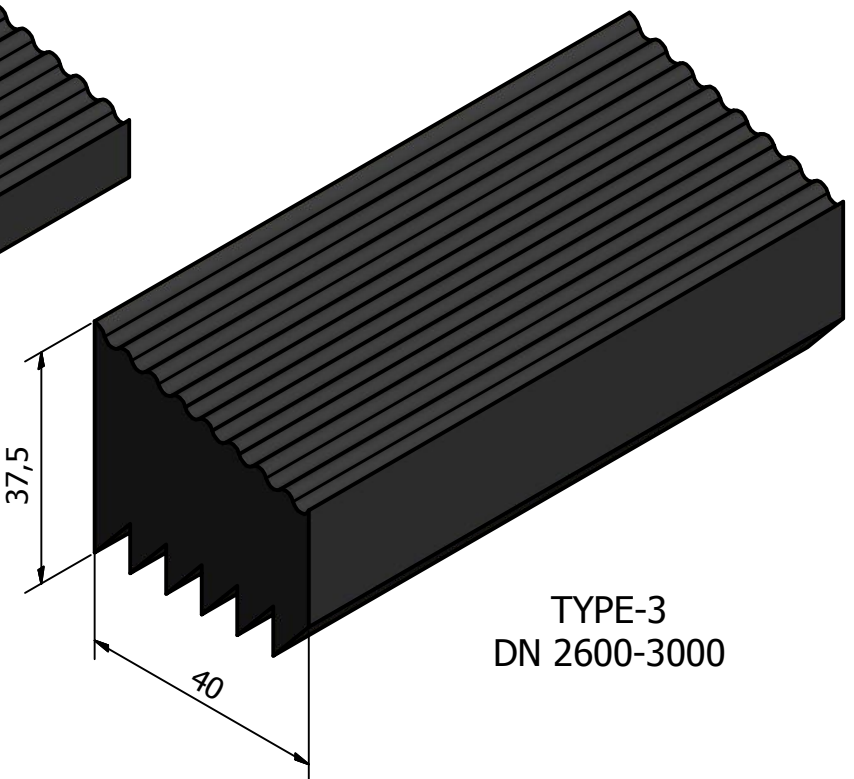


TYPE-1
DN 300-500




TYPE-2
DN 600-2500



TYPE-3
DN 2600-3000

All dimensions in mm to ISO3302 E2 tolerances

© VIP-Polymers Ltd. This drawing is the exclusive property of VIP-Polymers Ltd and is confidential and must not be reproduced or disclosed to a third party without written consent. It must only be used for the purpose for which it has been issued and is returnable on request.

DESIGNED BY Giovannoni Mariano	CHECKED BY	APPROVED BY	DATE	DATE 03/08/2015	
 Polymers Ltd			GRP SEALS		ISSUE 1
					SHEET 1 / 1